

BATTERY PACKS

CM-21 CM-23 CM-24
CM-87 CM-88

Thank you for purchasing an Icom battery pack.

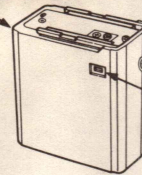
For maximum performance of the battery pack with your transceiver, please read these instructions thoroughly prior to operation.

PRECAUTIONS

- **NEVER** discard a battery pack into a fire since internal battery gas may cause it to rupture.
- **NEVER** expose the battery pack to water. If the battery pack is wet, be sure to wipe it dry before charging.
- **NEVER** disassemble the battery pack.
- **NEVER** short the metal terminals. Simply carrying with, or placing near metal objects such as a necklace, etc. causes shorting. When carrying or storing a spare battery pack, cover it with an insulating material.
- **NEVER** use a non-recommended charger.
- **DO NOT** obstruct the current selector holes on the bottom of the battery pack.
- **DO NOT** charge the battery pack at temperatures outside of the range 0°C ~ +40°C (+32°F ~ +104°F).
- **DO NOT** attempt to charge a fully charged battery pack.

PANEL DESCRIPTION

CHARGING JACK (CM-23, 24 only)
Accepts one of wall chargers CM-16U/E, CM-17 or BC-18 for charging.



CHARGING JACK (CM-21~CM-24 only)
Accepts 12 V DC for charging.

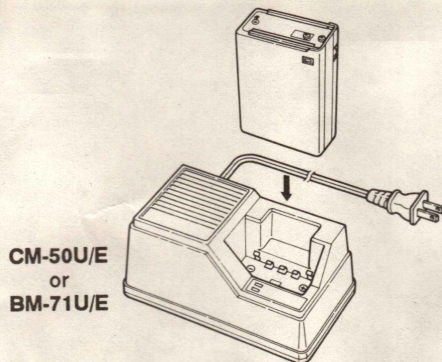
CHARGE INDICATOR (CM-21~CM-24 only)
Lights while charging through a charging jack.

NOTE

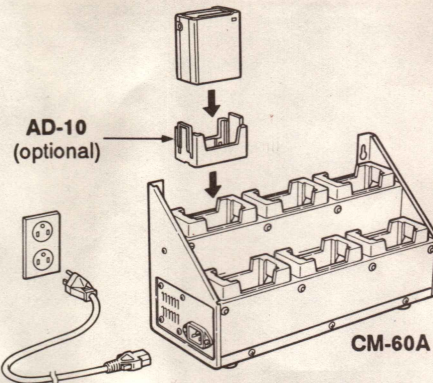
Full charge capacity may become lower when repeatedly recharging after only partial discharging. If this happens, discharge almost completely through normal use before recharging.

BATTERY PACK CHARGING

- Charging with the CM-50U/E or BM-71U/E



- Charging with the CM-60A



SPECIFICATIONS

BATTERY PACK	BATTERY CAPACITY	OUTPUT VOLTAGE	CHARGING PERIOD (approximate)						HEIGHT (mm; in)
			BM-71U, BM-71E	CM-50U, CM-50E	CM-60A with AD-10	CM-25U, CM-25E, CM-26E, CM-27	CM-16U, CM-16E, CM-17, BC-18	CM-1, CM-28, DM-2	
CM-21	120 mAh	7.2 V	1 hr.	1 hr.	2 hrs.	15 hrs.	N/A	15 hrs.	32.5 mm; 1.3 in
CM-23	600 mAh	8.4 V	1 hr.	1 hr.	7 hrs.	N/A	15 hrs.	15 hrs.	70.5 mm; 2.8 in
CM-24	600 mAh	10.8 V	1 hr.	1 hr.	7 hrs.	N/A	15 hrs.	15 hrs.	85 mm; 3.3 in
CM-87	1100 mAh	7.2 V	2 hrs.	N/A	9 hrs.	N/A	N/A	N/A	100 mm; 3.9 in
CM-88	600 mAh	12.0 V	1.5 hrs.	N/A	4.5 hrs.	N/A	N/A	N/A	85 mm; 3.3 in

All stated specifications are subject to change without notice or obligation.

N/A: Not applicable